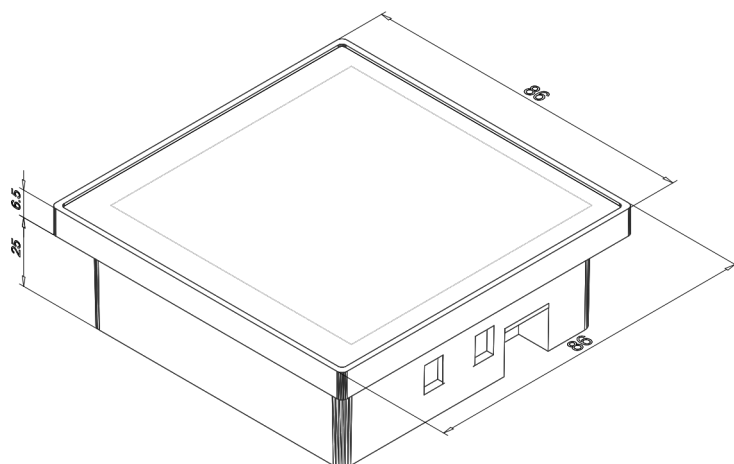
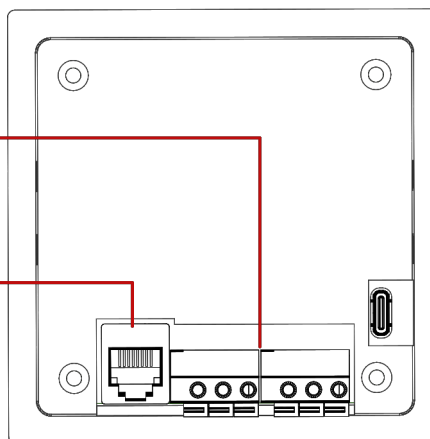


## Technical specifications



- 86x86mm squared flush mount case in ABS 94V-0 material.
- color black
- dimensions 86x86x32mm (l<sub>x</sub>h<sub>x</sub>w)
- weight 160g (shunt excluded)

### Rear view



Screwless terminal blocks for power supply and signal connections

RJ12 socket for solar charge controller connection

## Electrical specifications

### Description

### Value

Voltage range	7V - 75V
Current range	50A - 5000A (depending to the shunt used)
Current absorption	160mA max when monitor backlight and WiFi on
Storage memory	Up to 30 days (largest if connected to cloud)
Solar charge reg. connection	Up to 8 (possibly to read data and set charge curves)*
WiFi connection	2.4 GHz 802.11b/g/n built in antenna
Display type	4.0" IPS colour display with capacitive touch screen
Dimensions	86x86x32mm (l <sub>x</sub> h <sub>x</sub> w)
Weight	160g
Mounting system	Flush mount (77x77mm square hole on the pannel) max pannel width 10mm